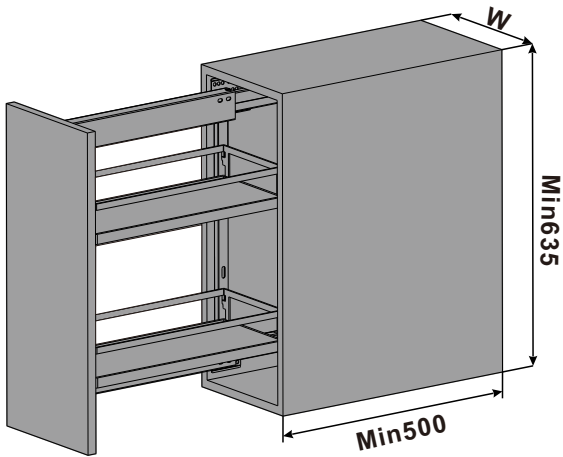


Pull Out Basket Install Manual.



Accessories List

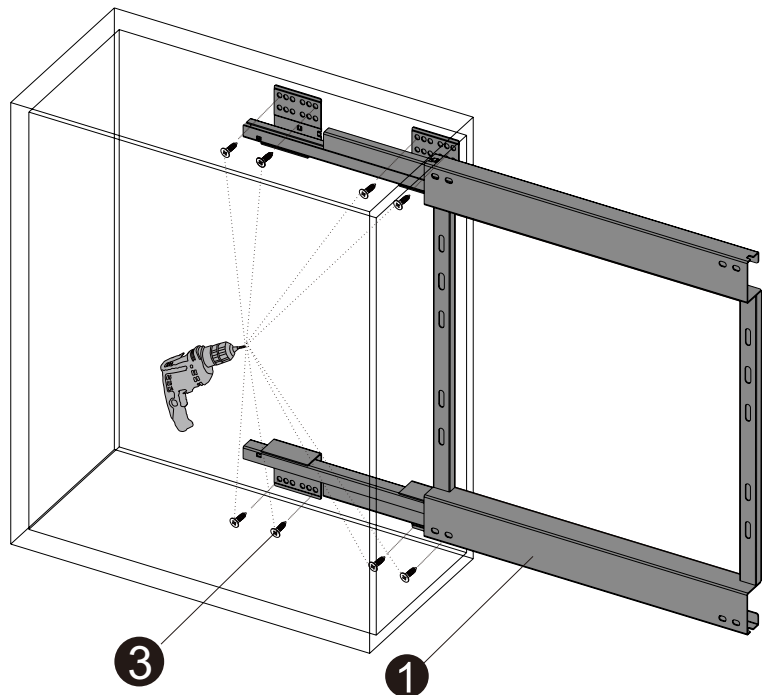
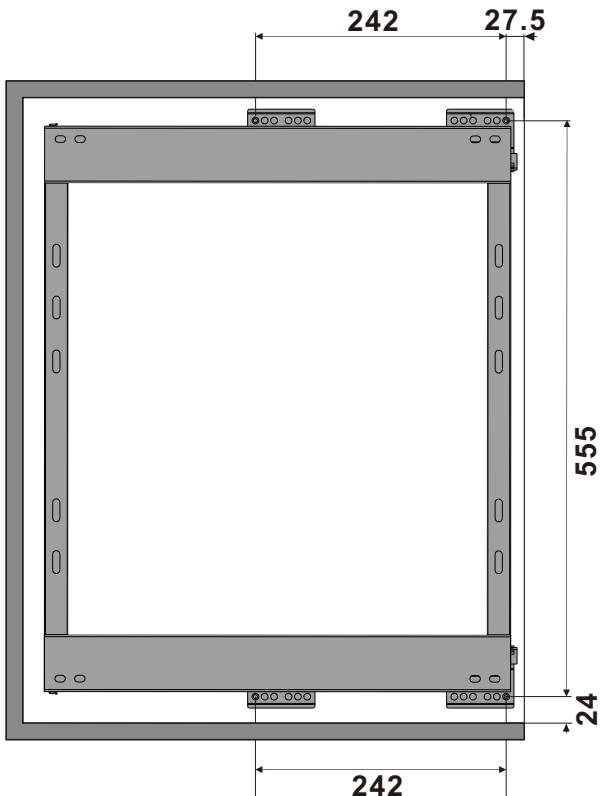
<p>Frame (universal for right & Left)</p> <p>1</p>	<p>Door Bracket</p> <p>2pcs 2</p>	<p>Screw ST3.5*18</p> <p>24pcs 3</p>
<p>Screw M6*10</p> <p>8pcs 4</p>	<p>Basket (Option)</p> <p>OR</p> <div style="display: flex; justify-content: space-around;"> <div style="text-align: center;"> <p>Wire Basket</p> <p>5a</p> </div> <div style="text-align: center;"> <p>Wooden basket (Matched with non-slip film)</p> <p>2pcs 5b</p> </div> </div>	

Cabinet Size	Product Size(mm)
150mm	105*465*580
200mm	155*465*580
250mm	205*465*580
300mm	255*465*580

Step 1 Installation of Frame (Take the right size as an example)

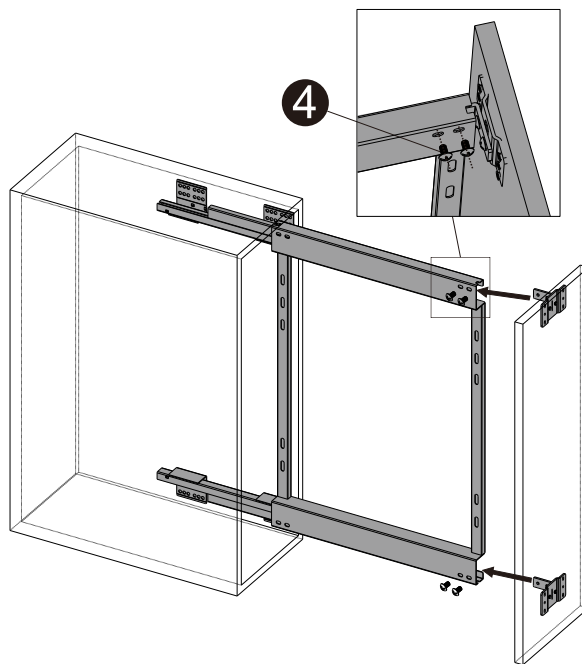
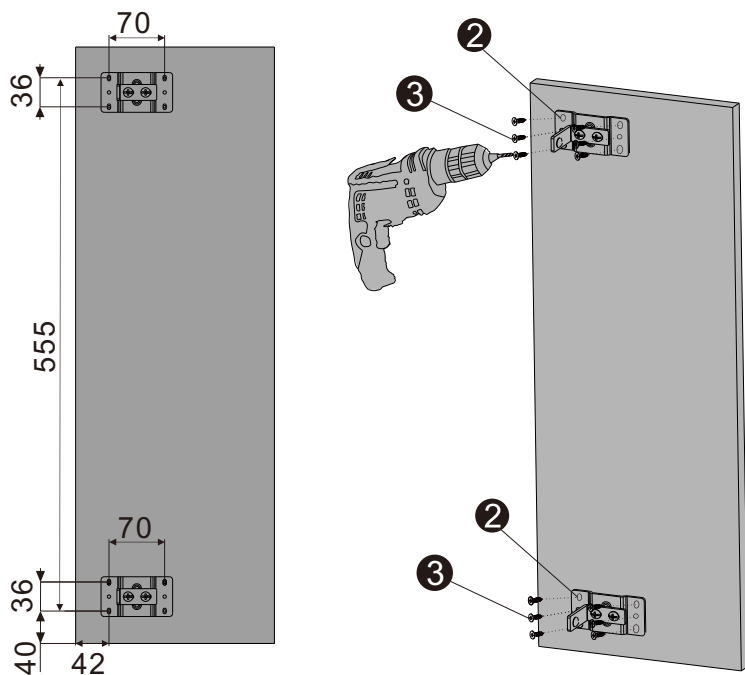
1.1 Drill holes as below picture shown ϕ 2.5mm

1.2 Fix the Screw ST3.5*18 after pulling out the frame



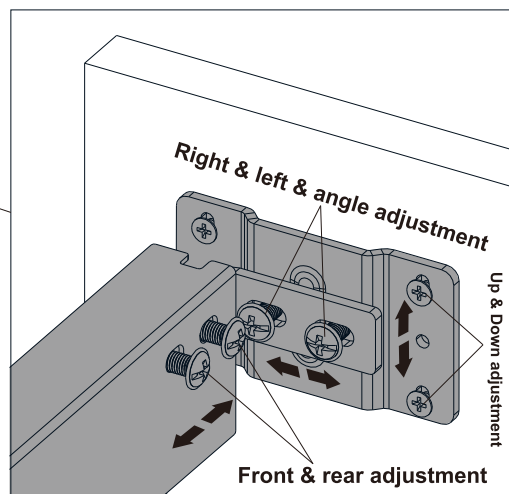
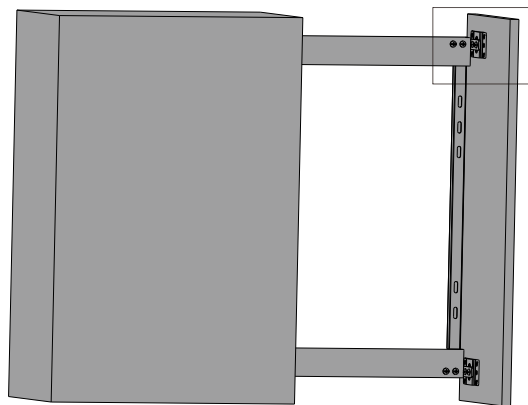
Step 2 Installation of Door Bracket

- 2.1** Drill holes as below picture shown ϕ 2.5mm, fix it to the door panel. **2.2** Adjust the holes in door bracket to the same position with the frame holes, tighten them closely



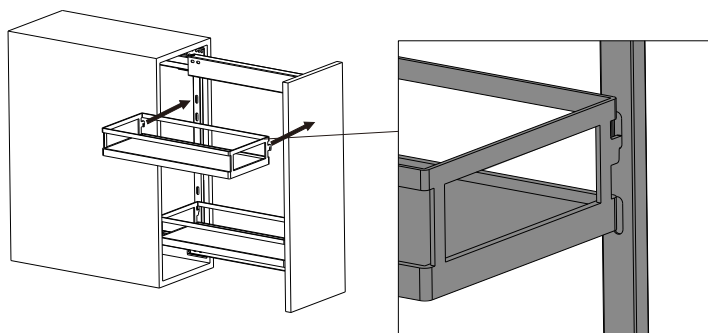
Step 3 Adjustment of Door Bracket

- 3.1** Adjust the door panel to the perfect position as below instruction, then tighten the screw

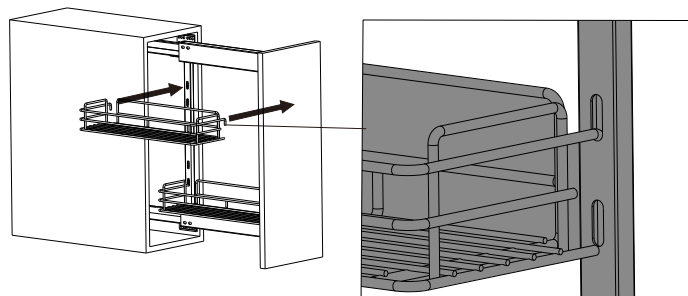


Step 4 Place the Baskets.

- 4.1** Hang up the baskets to the frame as below picture shown.



For Wooden basket



For Wire basket