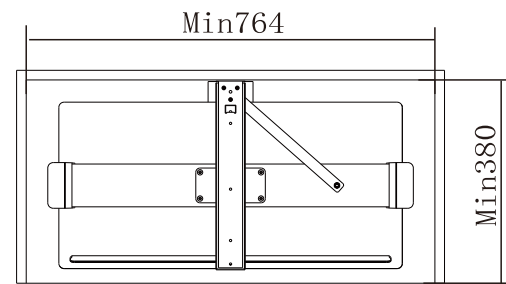
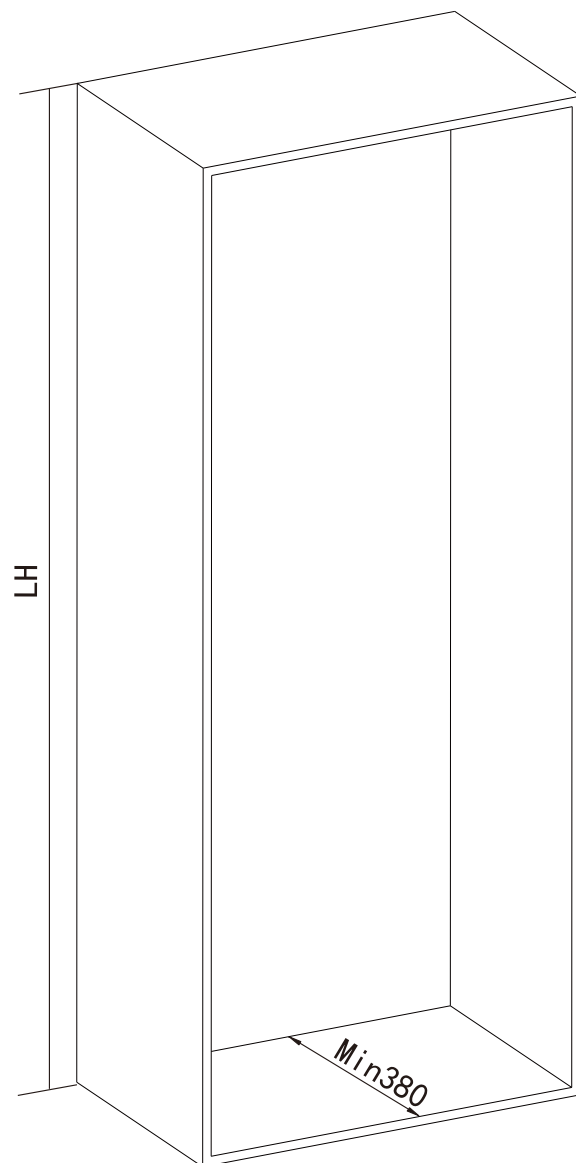


# Rotating Shoe Rack

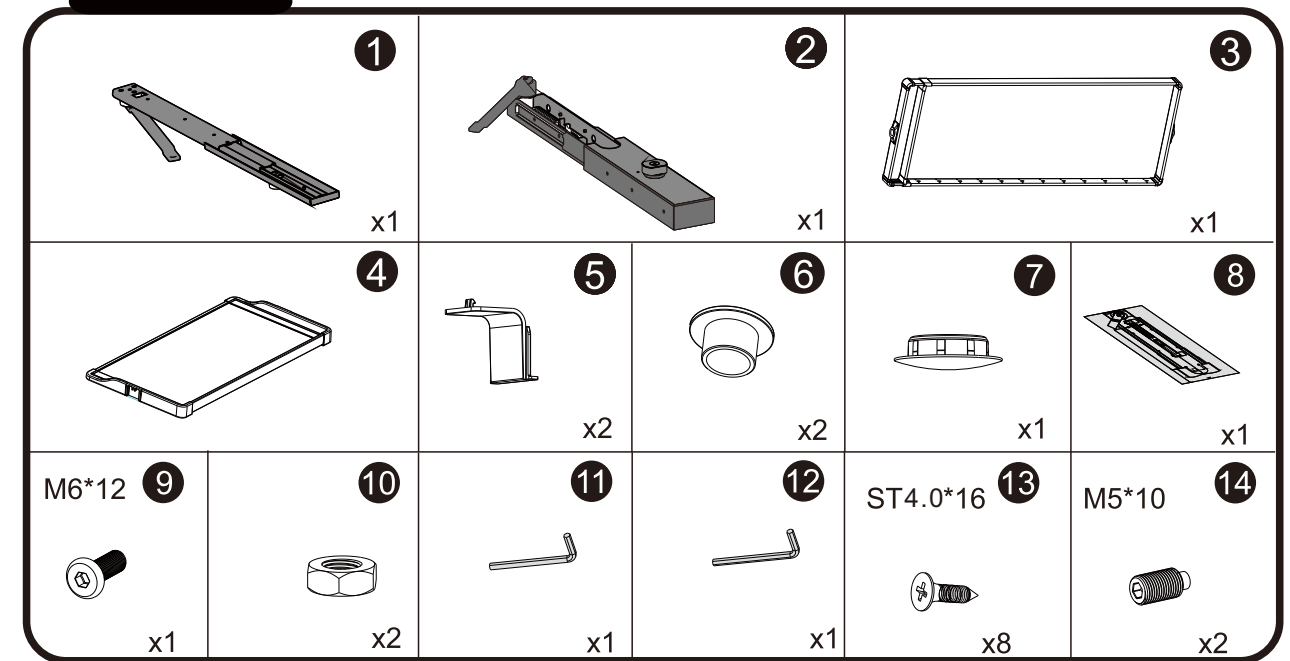
1. Cabinet models  
(please check out the ART. NO. before assembling)

Shoe Rack	ART. NO.	Cabinet	Product dimension
12 layers	703691	800	685x355x(1910-2110)
10 layers	703692	800	685x355x(1630-1830)
8 layers	703693	800	685x355x(1350-1550)
6 layers	703694	800	685x355x(1070-1270)
4 layers	703695	800	685x355x(790-990)



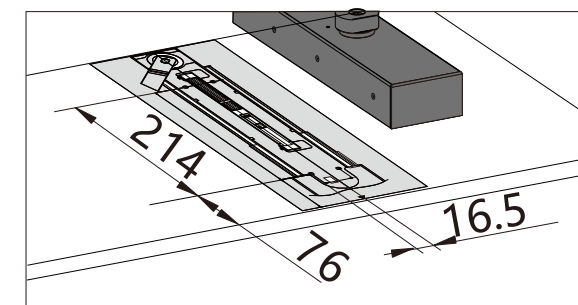
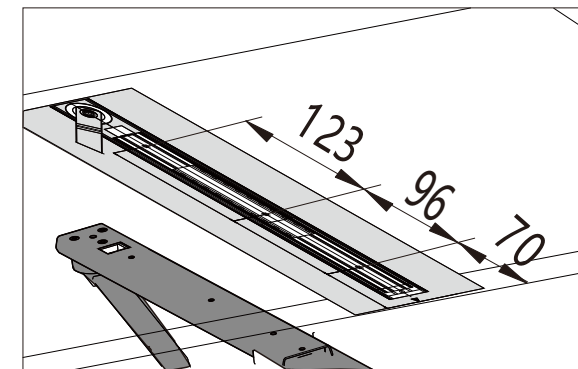
Layer	LH
12 layers	1910-2110
10 layers	1630-1830
8 layers	1350-1550
6 layers	1070-1270
4 layers	790-990

## Accessories

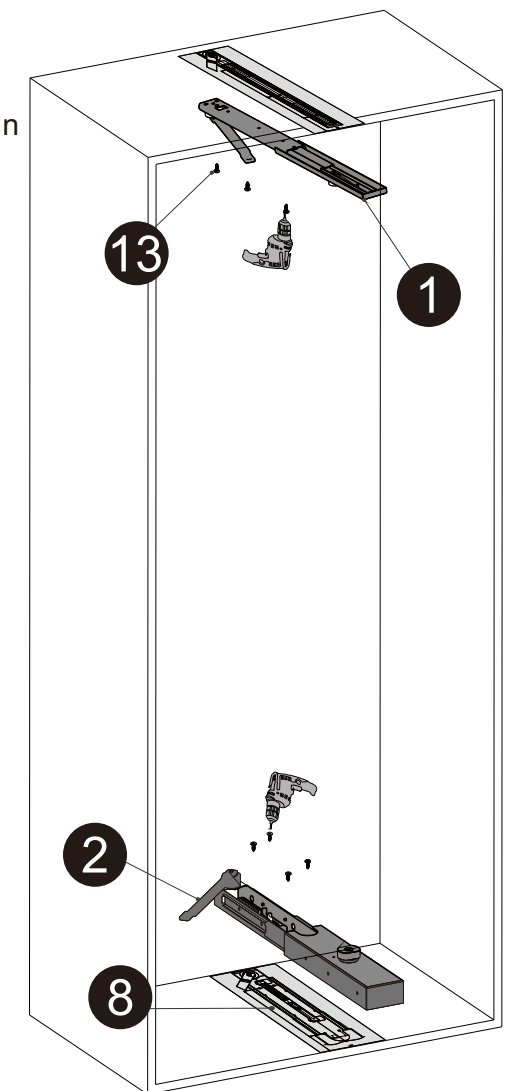


## 2. Installation Template

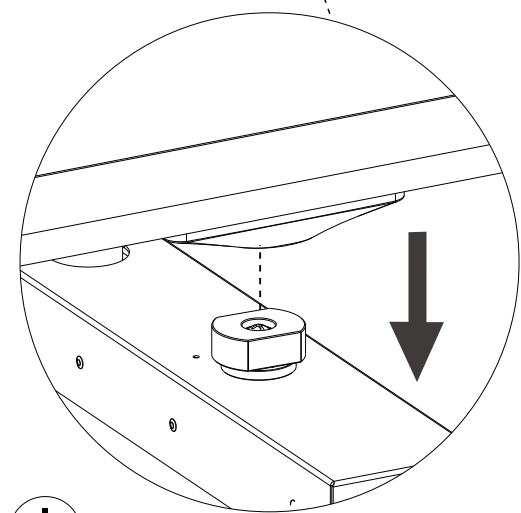
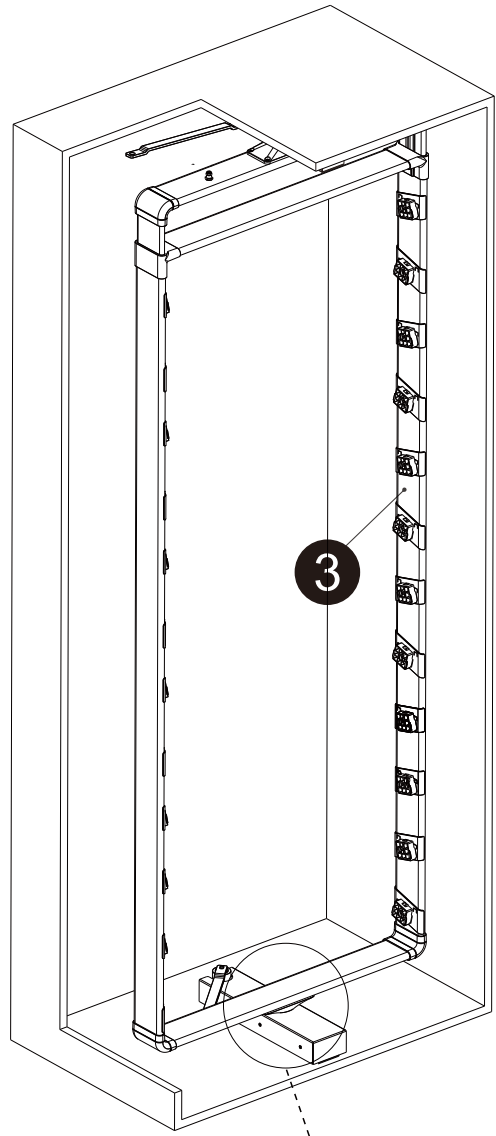
2.1 The upper guide rail and bottom slide installation  
Use 7pcs 4.0\*16 Self-tapping screws  
(Reference the installation template)



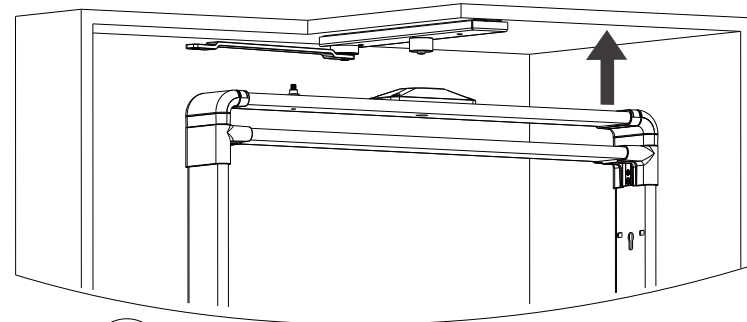
Align to the central line of the cabinet base



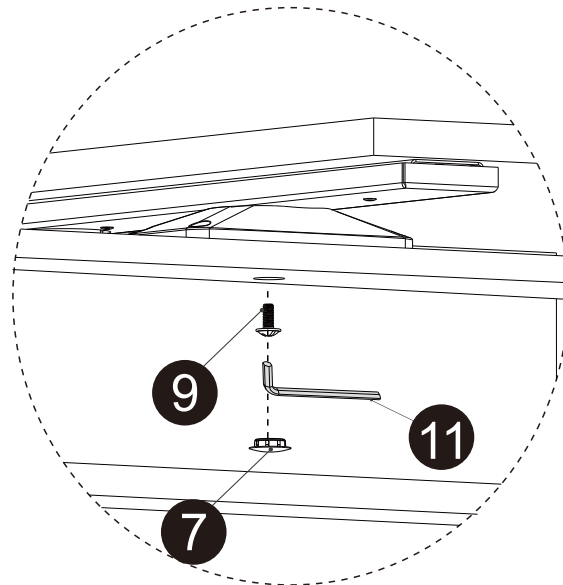
3.1 Assemble the main frame



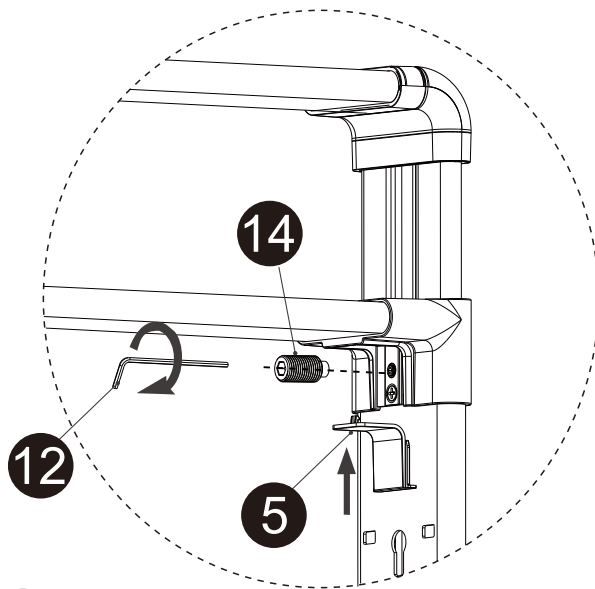
I Attach the frame to the revolving base



II Adjust the height of frame

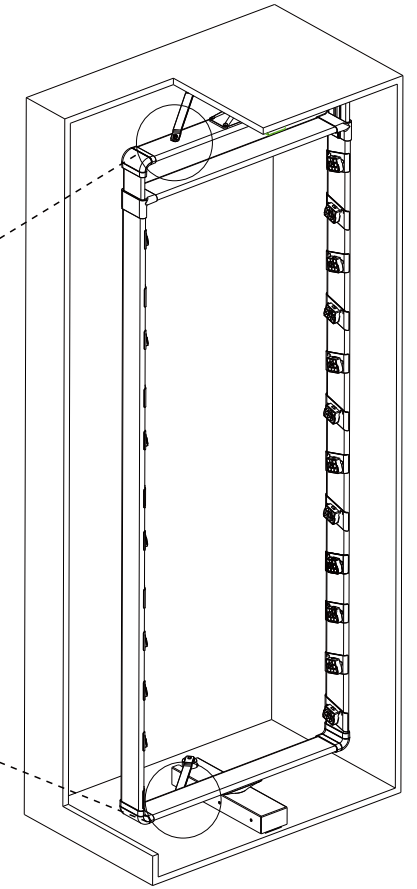
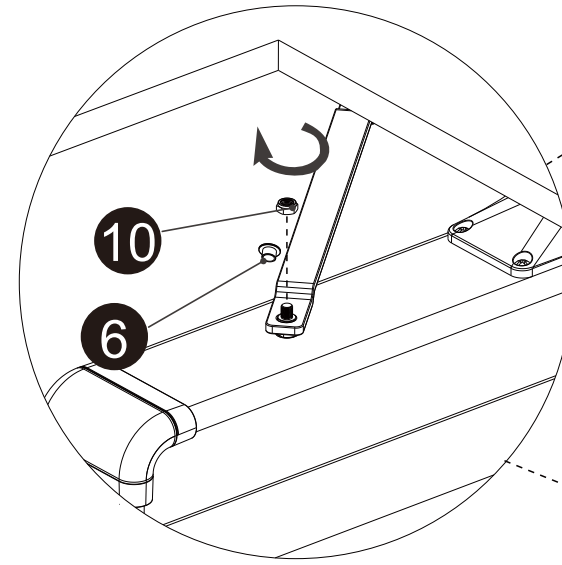


III Fasten the screws and screw cap



IV Fasten the screws and cap for the same.

3.2 Install the swivel bar



4. Place all the shelves on frame, Complete

