

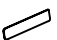



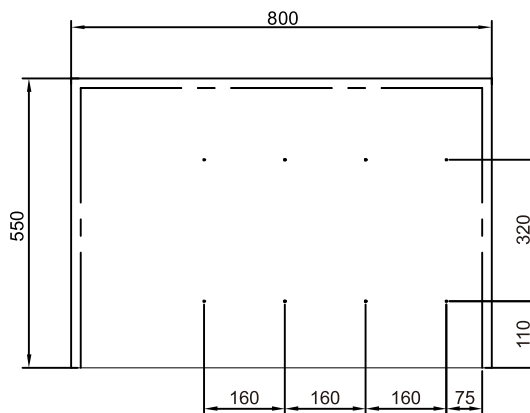


Soft close Show-hand Corner

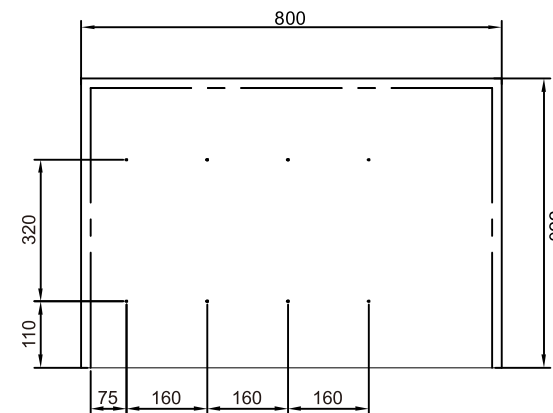
Name	Photo	Qty
M6*16 hexagon screw		6
ST4.0*16 Screw		8
plastic spacer		2
"L" Screw handle		1
Sliding guide		1
Handle		2

Step 1: As shown, Drill 8pcs $\phi 3.0$ mm holes on the bottom cabinet

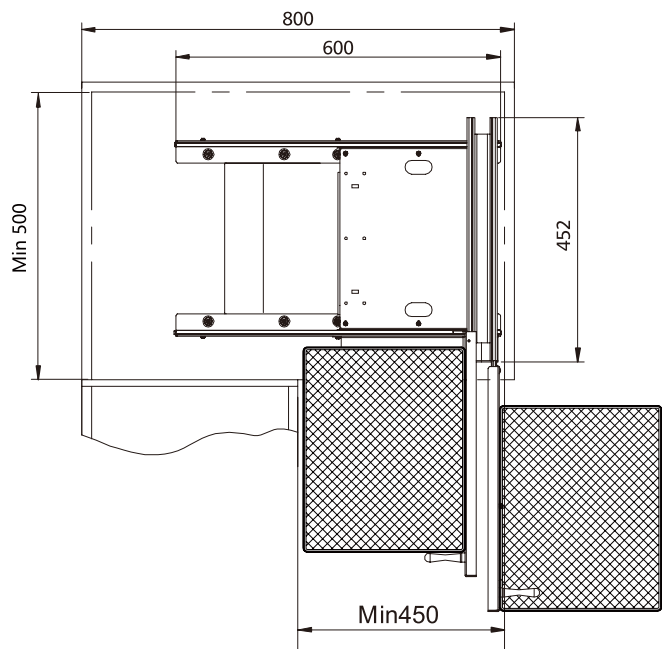
Right open- Bottom cabinet



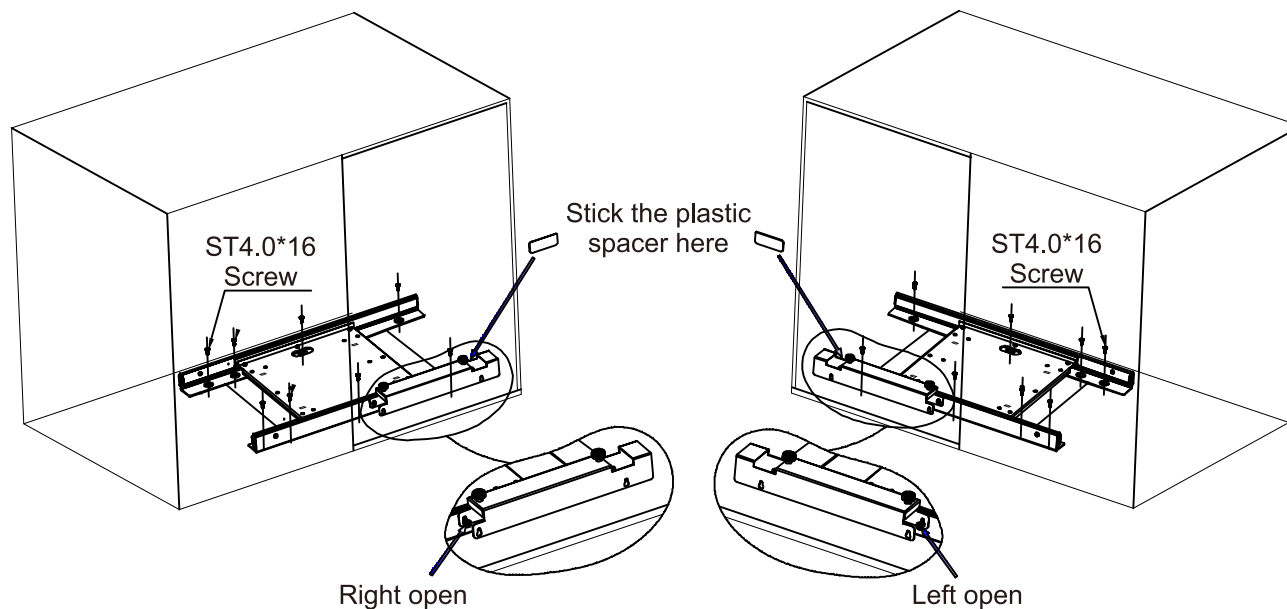
Left open- Bottom cabinet



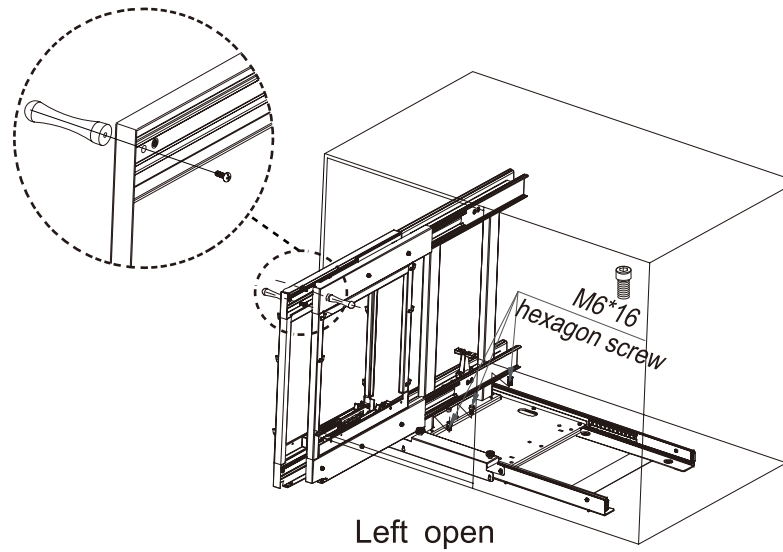
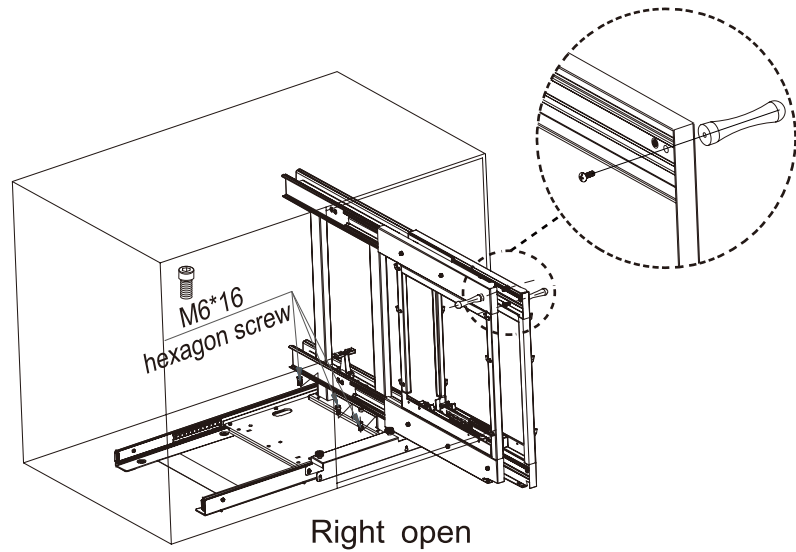
Step 2: Install the frame base, and stick the plastic spacer on the frame as shown.



This drawing is right open, left open is symmetry.



Step 3: Connect the frame and bottom base by hexagon screw



Step 4: Hang the baskets, Finish

