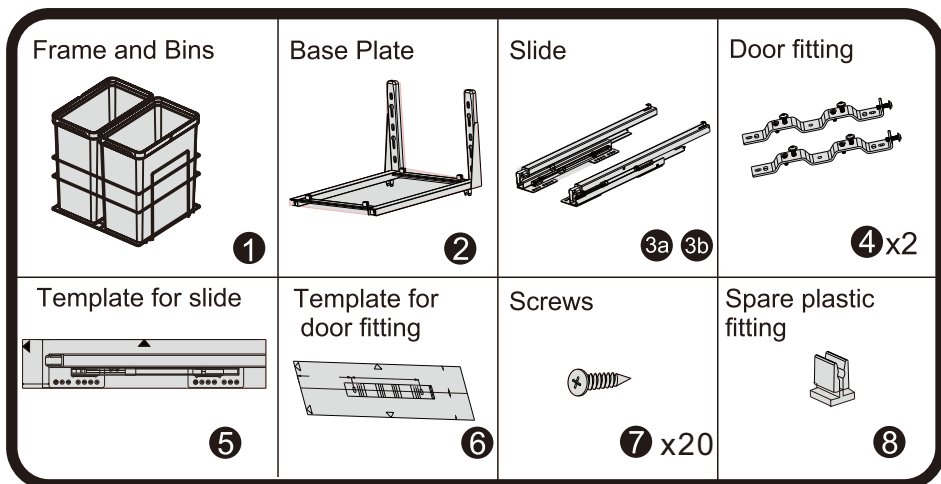
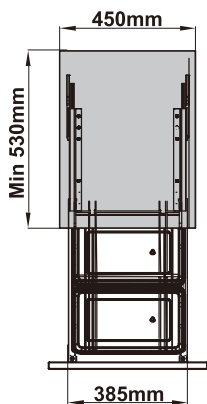
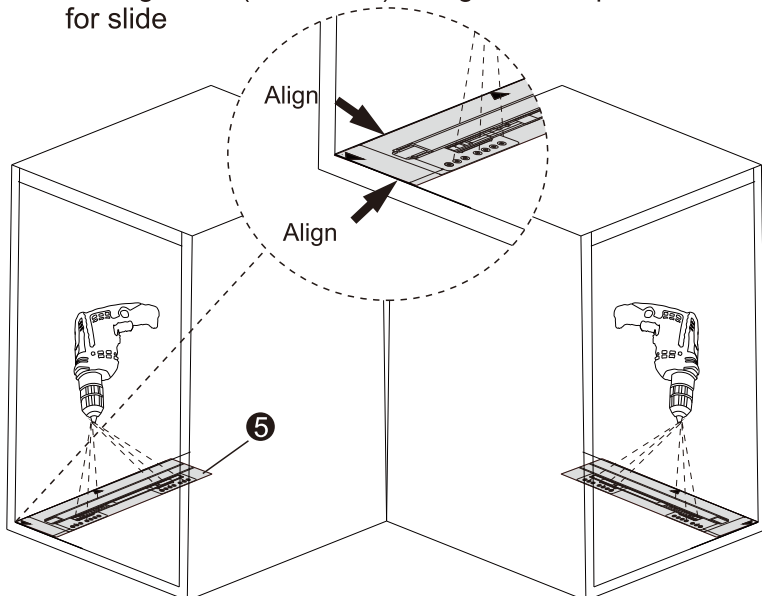


# Instruction for Pull-out Waste Bin

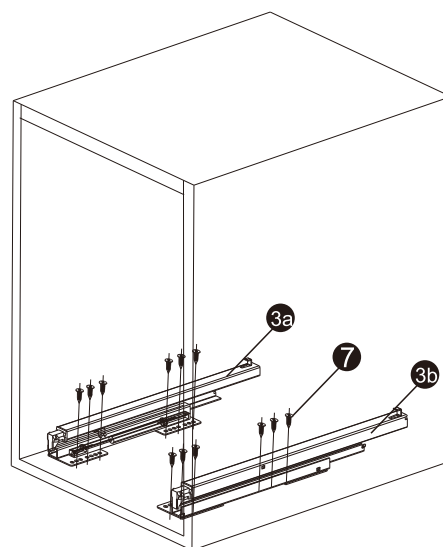


## 1 Install the slide

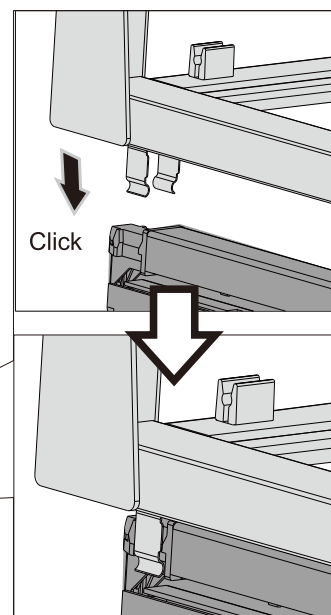
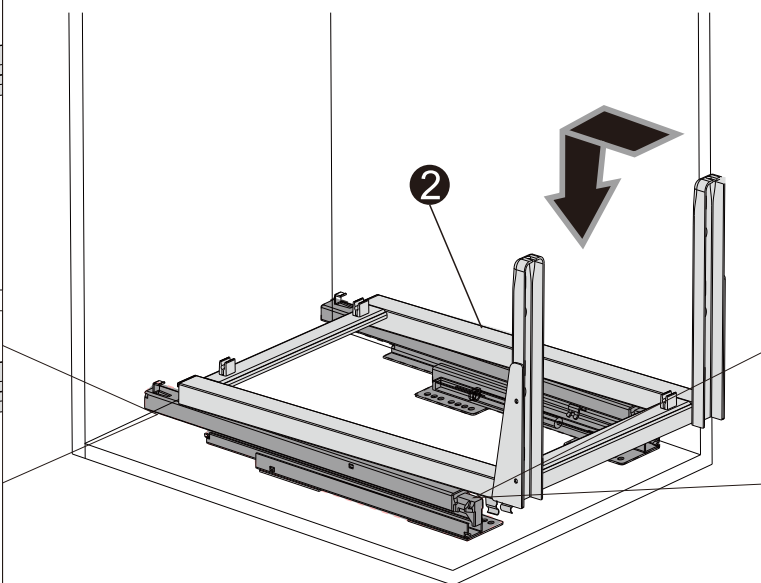
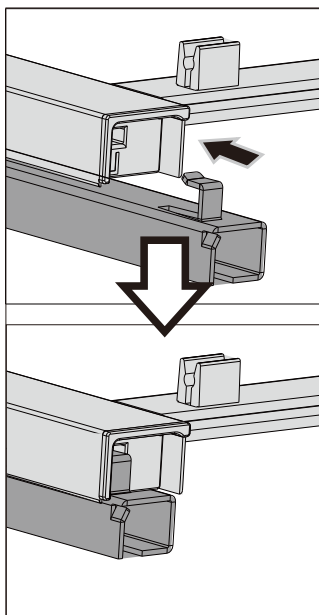
### 1.1 Drilling holes ( $\Phi 2.5 \times 12$ ) through the template for slide



### 1.2 Install the slide through the holes

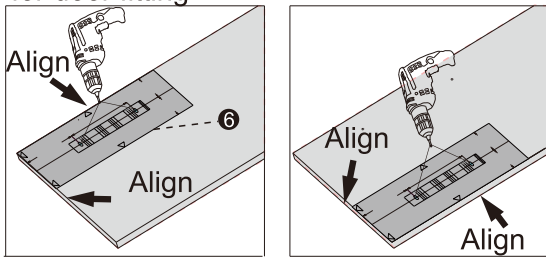


## 2 Install the base plate on slide

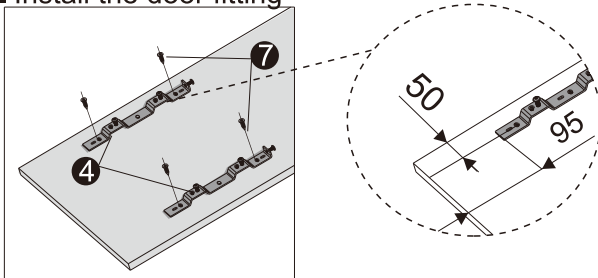


### 3 Install the door

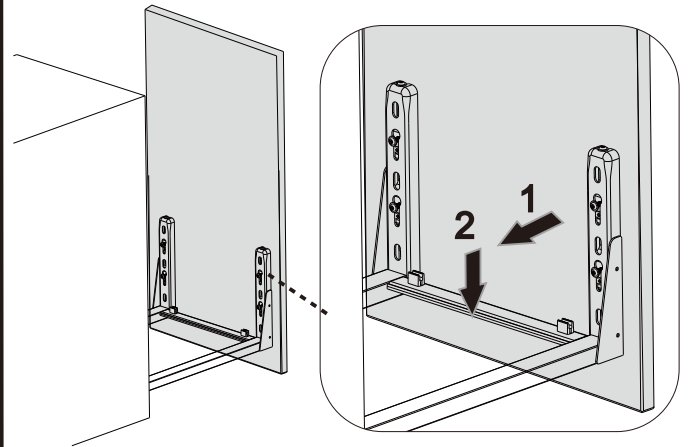
#### 3.1 Drilling holes ( $\Phi 2.5 \times 4$ ) through the template for door fitting



#### 3.2 Install the door fitting

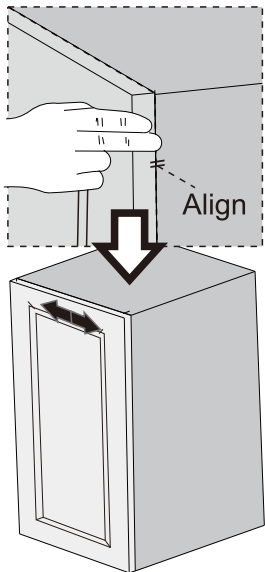


#### 3.3 Install the door

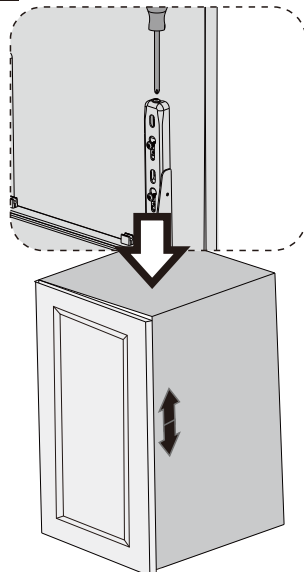


### 4 Door adjustment

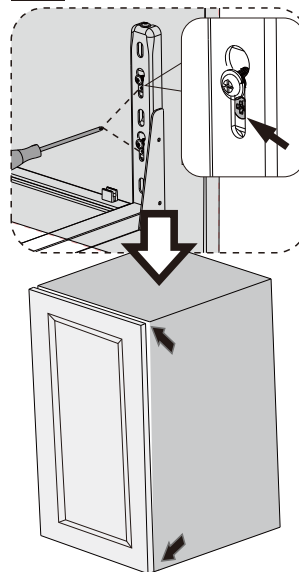
#### 4.1 Left and right adjustment



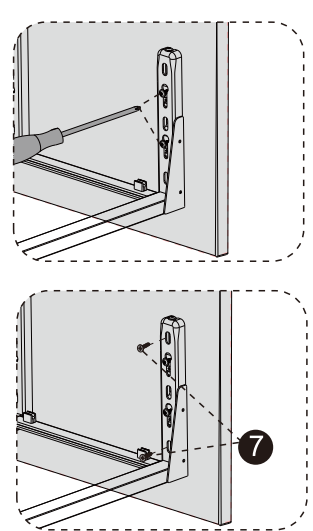
#### 4.2 Height adjustment



#### 4.3 Vertical adjustment



#### 4.4 Fasten the screws



### 5 Install the frame and bins

